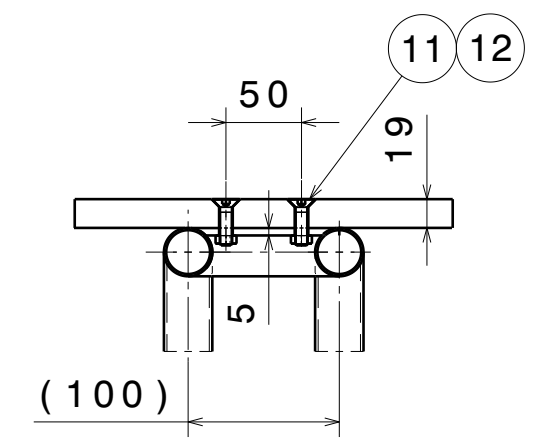
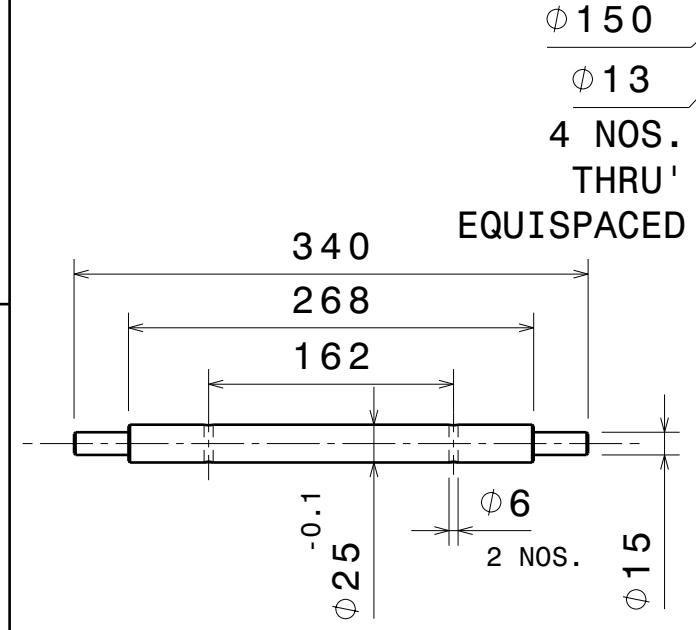


SECTION AA  
SCALE: 1:5

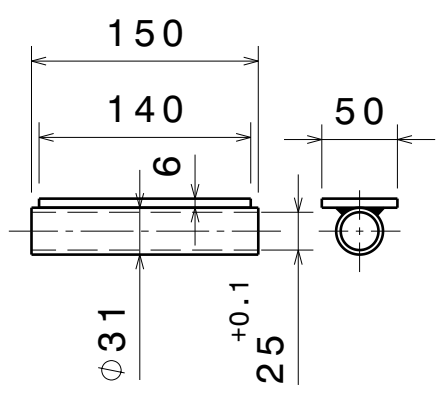


SECTION BB  
SCALE: 1:5

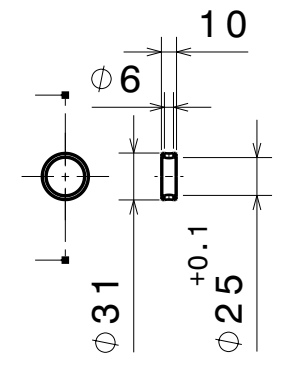
Ø 2500  
SEESAW  
CHILD ZONE



ITEM NO.-5  
QTY: 1  
SCALE: 1:5



ITEM NO.-6, 7  
QTY: 1  
SCALE: 1:5



ITEM NO.-8  
QTY: 2  
SCALE: 1:5

		<b>ABU ROBOCON 2014 PUNE, INDIA</b>			
		DRAWING TITLE			
DRAWN BY <b>CHAITANYA</b>	DATE 01/08/2013	<b>FIG 3 - SEESAW</b>			
CHECKED BY <b>COMMITTEE</b>	DATE 01/08/2013	SIZE <b>A3</b>	DRAWING NUMBER <b>003</b>	REV <b>A</b>	
DESIGNED BY <b>COMMITTEE</b>	DATE 01/08/2013	SCALE 1:10	WEIGHT (kg) --	SHEET 1/2	